

# Series 3 Technician's Installation and Service Training Manual

## 480 3 Phase Wiring Instruction



### Warning Electrical Shock Hazard

To prevent serious injury or death always ensure power is disconnected when wiring anything into the ZAP Controller.

#### Tools Required

Small technicians slotted screwdriver

#### ZAP Controller Power Wiring Instruction

480 3 phase is only available as a special order on ZAP 8800 controllers.

There is no voltage selector switch on 480 3 phase 8800 Controllers.

All wiring plugs are removable for easy wiring access with the exception of the grounding terminal.

Power wiring access on the control board is located on a piggy back board in the area heightened in red (Figure A).

Molded knock outs or pre-drilled ingress holes are provided on the bottom of the controller for the introduction of conduit and wiring. Only use these knock outs for the introduction of wiring into the controller. Do not mount the controller case upside down to introduce conduit or wiring into the controller. This will void the manufacturers warranty.

#### Wiring requirement:

14AWG Maximum size wiring.

Wire Leg 1 of 480 3 ph to live connection 1 on 480 3 phase auxiliary connection board.

Wire Leg 2 of 480 3ph to live connection 2 on auxiliary connection board,

Wire Ground to Ground on main circuit board

Wiring Diagram: (Figure A)

480V 3 Phase

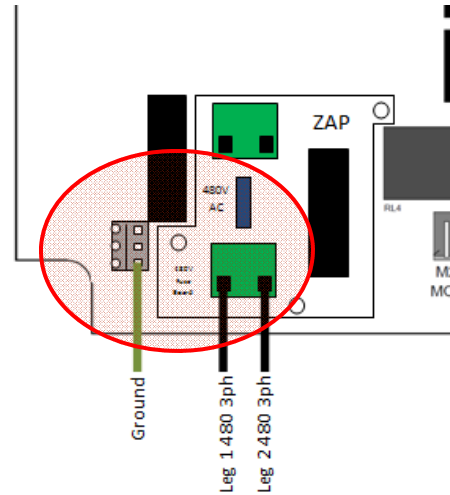


Figure A

### ZAP Series 3 Simply Logical

ZAP Controls  
100 Waterloo Blvd. Anglesey Business Park, Littleworth Road, Cannock, Staffordshire, England  
UK Contact 011-44-154-387-9444 sales@zap-uk.com  
USA Contact 931-510-4432 sales@zap-america.com  
USA Tech Support 931-510-4432 via telephone or text  
Online www.zap-uk.com